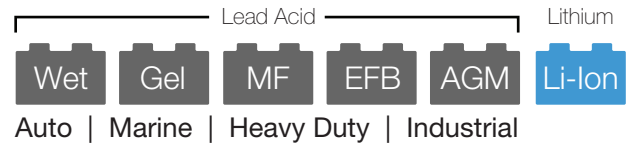


GX4820 48V 20A



UltraSafe Industrial Charger™



NOCO
Industrial™

Charge Fully Drained Batteries Up To **425Ah**. **Waterproof** And Tamperproof.

Perfect for industrial vehicles, high-powered tools, daily use vehicles and more.

Ultra-compact, rugged, tamperproof, and waterproof, the industrial charger can be mounted directly onto a variety of surfaces or equipment. Features **spark proof technology** and **reverse polarity protection**. Charges **2X faster** than ordinary chargers. Stay connected 24/7 with **zero overcharge**.



Firewall.

Multi-level safety barrier prevents unsafe and abnormal conditions.



Energy Save.

Minimizes energy consumption when full power is not needed.



Recovery.

Applies a high-voltage pulse charge when low-voltage, sulfation, or lost capacity is detected.



Optimization.

Stabilizes internal battery chemistry for increased performance and longevity.



Interactive.

Alters the charging process based on organic battery feedback.



Rugged.

Dirt, water, UV, impact and crush resistant.



Maintenance Plus.

Keeps the battery fully charged without over-charging, indefinitely.



Safe.

Protects against reverse polarity, sparks, over-charging, overcurrent, open-circuits and overheating.



Opportunity Charge.

Designed to rapidly charge batteries in applications where charging is intermittent between use.

Charge **48V** Batteries Up To 425Ah.

The NOCO Company
30339 Diamond Parkway, #102
Glenwillow, OH 44139 | USA
1.800.456.6626

no.co

NOCO
Since 1914

Charging Modes

Mode	Explanation		
		AGM+	62.4V 20A 55-425Ah For charging advanced AGM batteries, which requires a higher than normal charging voltage. When selected, a blue LED will illuminate.
Standby	No Power In standby mode, the charger is not charging or providing any power to the battery. Energy Save is activated during this mode, drawing microscopic power from the electrical outlet. When selected, an orange LED will illuminate.	LI-ION	58.4V 20A 55-425Ah For charging lithium-ion batteries, including lithium iron phosphate. When selected, a blue LED will illuminate.
48V NORM	57.6V 20A 55-425Ah For charging 48-volt Wet Cell, Gel Cell, Enhanced Flooded, Maintenance-Free and Calcium batteries. When selected, a white LED will illuminate.	Repair	64V 5A Any Capacity An advanced battery recovery mode for repairing and storing, old, idle, damaged, stratified or sulfated batteries. When selected, a red LED will illuminate and flash.
48V Cold/AGM	58.8V 20A 55-425Ah For charging 48-volt batteries in cold temperatures below 50°F (10°C) or AGM batteries. When selected, a blue LED will illuminate.	Supply	54.4V 10A Converts to a DC power supply. When selected, a red LED will illuminate.

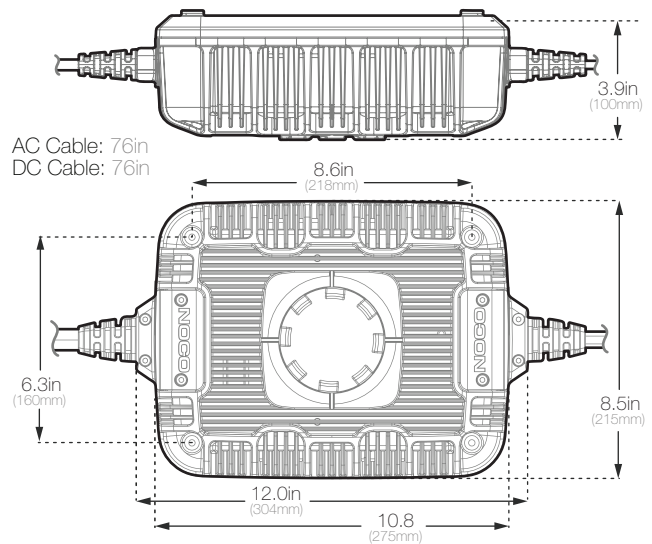
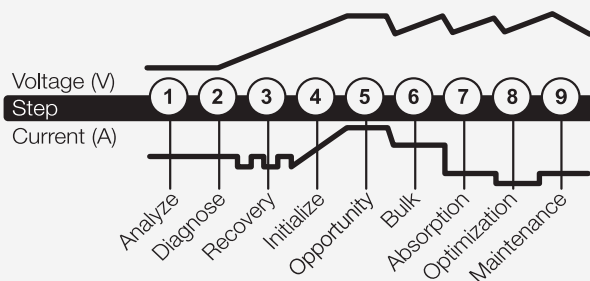
Technical Specifications

Input Voltage AC:	100-240 VAC, 50-60Hz	Type of Batteries:	48V Lead-Acid & Lithium
Working Voltage AC:	85-240 VAC, 50-60Hz	Battery Chemistries:	Wet, Gel, MF, AGM, EFB, LIB
Power:	960W Max	Battery Capacity:	55-425Ah, Maintains All Battery Sizes
Efficiency:	92% Approx.	Housing Protection:	IP66
Charging Voltage:	57.6V	Cooling:	Natural Convection
Back Current Drain:	<5mA	Dimensions (LxWxH):	12 x 8.5 x 3.9 Inches
Operating Temperature:	-20°C to +50°C	Weight:	13.2 Pounds
Charger Type:	9 Step, Fully Auto., Switch-Mode		

What's In The Box

- GX4820 Smart Industrial Charger
- AC Cable Plug Type B & DC Cable W/ HD Eyelets
- User Guide and Information Guide & Warranty

Charging Steps



Master Carton:

Dimensions:
18.32"x13.00"x11.75"
Weight: 28.99lbs
Quantity: 2
UCC: 10046221150084
Units Per Pallet: 80 Units

Inner Carton:

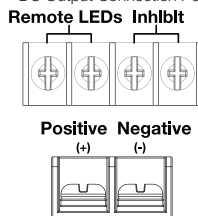
Dimensions:
17.72"x11.14"x6.14"
Weight: 14.50lbs
UPC: 0-46221-15008-7



CONFORMS TO UL STD. UL1236
CERTIFIED TO CSA STD. C22.2 No.107.2

Intertek
4001276

DC Output Connection Port



Inhibit Port (Optional For Operation)

The Inhibit Port contains a Relay rated at 20A. When the Charger has AC power, the relay will close allowing current flow. When the charger is removed from AC power, it takes approximately 15 seconds for the capacitors to discharge and the relay to open.

Remote LEDs Port (Optional For Operation)

The Remote LEDs Port can be used to connect LEDs for easy monitoring when the charger's LEDs are not accessible. The port supports two LEDs, reversing polarity to change from "Charging" to "Charged."

The NOCO Company
30339 Diamond Parkway, #102
Glenwillow, OH 44139 | USA
1.800.456.6626

noco

NOCO
Since 1914