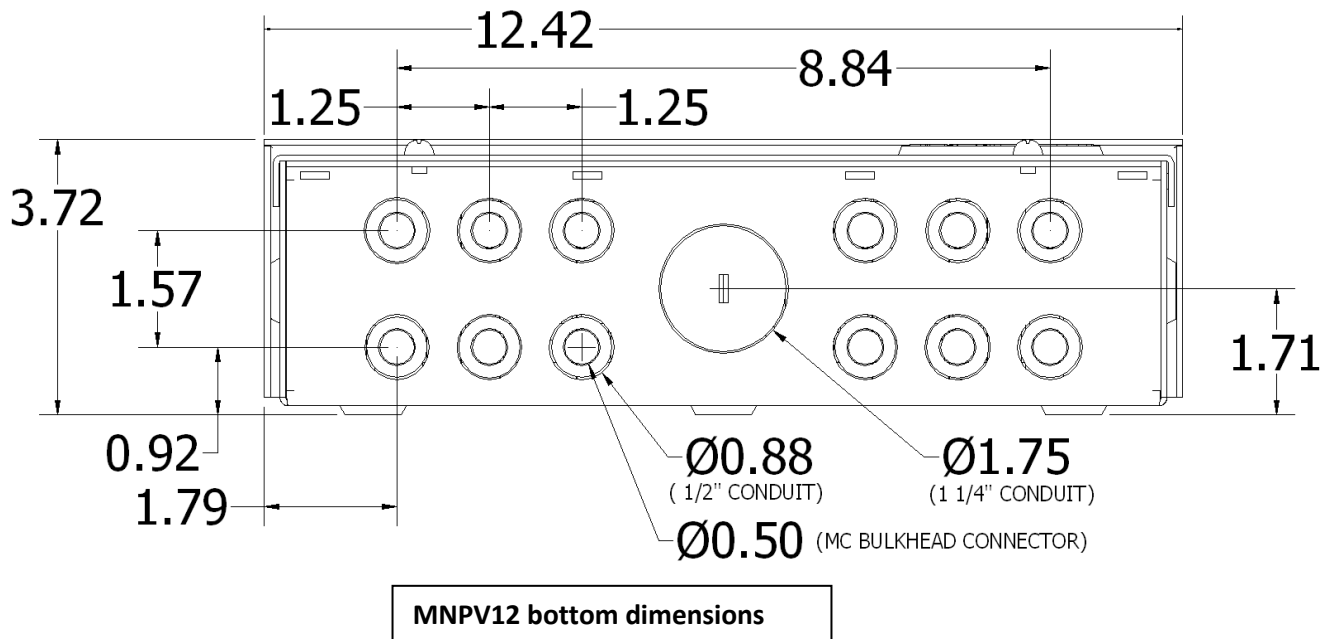


MNPV12 & 16 Combiner Instructions (continued)

The following dimensioned drawings show the enclosure size and location of knockouts available on the MNPV12&16. Lightning arrestors may require a locknut on the outside in order to clear the lid.



Two 7/8" knockouts (1/2" conduit openings) are located on the sides of the MNPV12. These are primarily intended for lightning arrestors. One 1 1/4" conduit knockout is located on the back mounting surface.

